

press

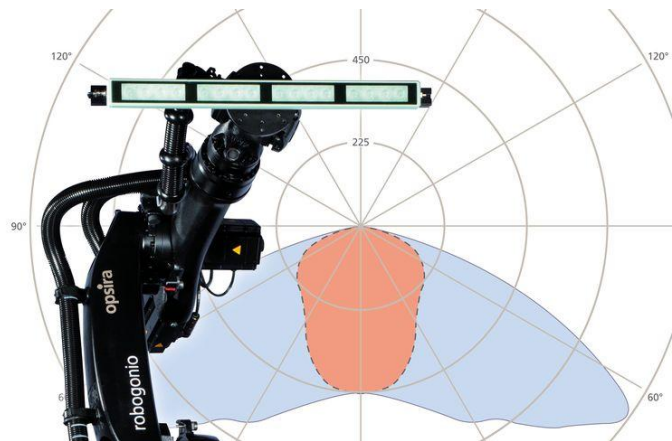
Invitation to Light+Building 2016: Light measurement live

March 13, 2016 • This time opsira presents two different sizes of the goniophotometer series robogonio. We kindly invite you to watch the live measurements of the KUKA-robot based measurement systems at the opsira booth. The robogonio is available in seven basic sizes for different payloads: 6, 10, 16, 30, 60, 120 and 240 kg. The smaller models are designed for measuring the luminous intensity distribution of luminaires and LED PCBs as well as for generating near-field ray data. The larger models are suitable for systems such as street lights, stage lights, and headlights.

In the far field, the robogonio measures the luminous intensity distribution, while conventional data such as EULUMDAT or IES are generated directly. In the near field, the robogonio generates ray data with high precision, and even polychromatic depending on the detector.

Look and see the all-rounder yourself.
We are looking forward to your visit at the
Light + Building from 13-18 March 2016 at
opsira booth K60 in Hall 4.1

www.robogonio.com



Press contact

Uta Vocke, opsira GmbH, Leibnizstrasse 20, 88250 Weingarten / Germany,
Phone: +49 751 561 890, Fax: +49 751 561 899, Email: vocke@opsira.de, www.opsira.de.

opsira

The optics design expert has been operating successfully in the market for about 20 years. Starting as engineering service provider, opsira established as full-service provider including the design of optical systems, the development of customized optical measurement systems as well as high-tech products in the fields of photometry, spectrometry and goniometry. opsira's in-house lightlabs measure optical characteristics of products and components to ensure high quality of luminaires and light sources. The company has about 20 employees and focuses on general lighting, automotive, signal and medical lighting.

Find pictures here: www.opsira.com/downloads/press

opsira GmbH
Leibnizstraße 20
88250 Weingarten / Germany
Phone +49 751 561 890
Telefax +49 751 561 899
info@opsira.de
www.opsira.de

Südwestbank Ravensburg
BLZ 600 907 00
Konto 828 009 007
IBAN DE78600907000828009007
BIC SWBSDESS

Landesbank Baden-Württemberg
BLZ 600 501 01
Konto 450 30 15
IBAN DE04600501010004503015
BIC SOLADEST

Geschäftsführung
General Managers
Volker Schumacher
Jürgen P. Weißhaar
HRB 552042 AG Ulm
VAT DE201444158